

SEWAGE

Gamme Grinder

Submersible
Pump for Sewage
Water With Grinder

The pump OLIJU Grinder is a grinder pump system and is designed for applications of sewage with solids and fibers. The grinder system ensures that all the solids and fibers are broken in small pieces in order to pass in small tubes and passing the centrifugal pump without blocking the rotor.

The grinder system is easy to replace minimizing downtime the pump and making maintenance quick and easy.

Grinder



The range **Grinder** is designed for pumping sewage with solids and fibers, it is ideal for installation with guide raid.



USE :

Water loaded with solids and fibers
 All wastewater from homes, including toilets.
 Front outlet is ideal for installations with guide rail
 Immersion depth of 10 m

FEATURES :

Protection box in monophasic version
 Grinder system, impeller in cast iron,
 stainless steel shaft
 Engine oil bath class F, 10 m cable, built-in capacitor (to phase)
 Double seals, lip seals and reinforced carbon ceramic mechanical seal
 Single-phase models with or without float float (type A)

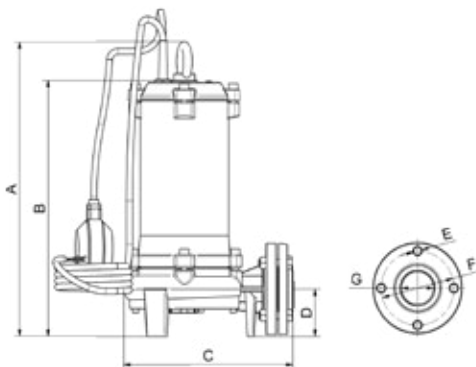
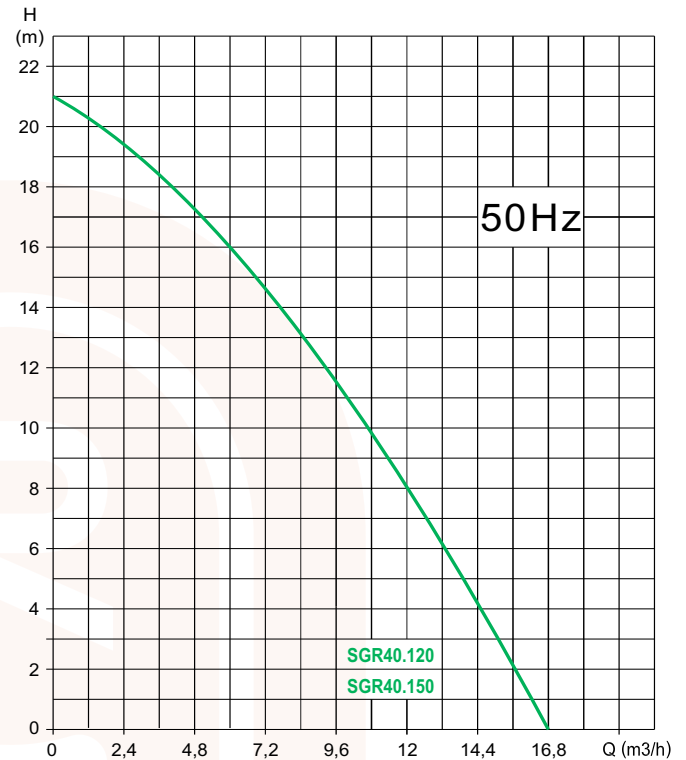


SEWAGE
Grinder

**Submersible
 Pump for Sewage
 Water With Grinder**

Grinder ■.....

Grinder



Type	Dimensions (mm)							Poids
	A	B	C	D	øE	øF	G	Kg
SGR 40.150	404	352	237	65	11	102	1"1/2	26,5
SGR 40.120	404	352	237	65	11	102	1"1/2	26,5

Type	Tension	Power		Motor		Connection DN	H (max) m	Debit (max) m³/h	Code
	V	kW	CV	A	µF				
SGR 40.150.1M	1 x 230	1,5	2	7,2	35	1 1/2	21	16,5	01011031
SGR 40.150.1A	1 x 230	1,5	2	7,2	35	1 1/2	21	16,5	01011032
SGR 40.120.3	3 x 400	1,2	1,6	2,1	-	1 1/2	21	16,5	01011033

Power cable: 10 m neoprene - Type A: model with float switch